



SETUP ACER DL

Setup Acer DL 230V 50Hz complete for automation of single leaf sliding gates.



Code	Leaf	Gear motors	Limit switch	Setup / Pallet
SETUP AC4R DL	400 Kg	AC4R DL	Electromechanical	36
SETUP AC6R DL	600 Kg	AC6R DL	Electromechanical	36
SETUP AC8R DL	800 Kg	AC8R DL	Electromechanical	36
SETUP AC12R DL	1200 Kg	AC12R DL	Electromechanical	36
SETUP AC4RM DL	400 Kg	AC4RM DL	Magnetic	36
SETUP AC6RM DL	600 Kg	AC6RM DL	Magnetic	36
SETUP AC8RM DL	800 Kg	AC8RM DL	Magnetic	36
SETUP AC12RM DL	1200 Kg	AC12RM DL	Magnetic	36

MAXI 2 – Page 120



1 Transmitter
433.92 MHz - Rolling Code

DES – Page 135



1 Key switch for outdoor use

VISIO – Page 138



1 Pair of photocells for outdoor use

SUNLED 23 – Page 142



1 Flashing light with built-in antenna

RG 1R DL



1 Control unit with built-in receiver

TL – Page 116



1 Sign plate

SETUP ACER DL 042

Setup Acer DL 042 230V simple for automation of single leaf sliding gates.



Code	Leaf	Gear motors	Limit switch	Setup / Pallet
SETUP AC4R DL 042	400 Kg	AC4R DL	Electromechanical	36
SETUP AC6R DL 042	600 Kg	AC6R DL	Electromechanical	36
SETUP AC8R DL 042	800 Kg	AC8R DL	Electromechanical	36
SETUP AC12R DL 042	1200 Kg	AC12R DL	Electromechanical	36
SETUP AC4RM DL 042	400 Kg	AC4RM DL	Magnetic	36
SETUP AC6RM DL 042	600 Kg	AC6RM DL	Magnetic	36
SETUP AC8RM DL 042	800 Kg	AC8RM DL	Magnetic	36
SETUP AC12RM DL 042	1200 Kg	AC12RM DL	Magnetic	36

MAXI 2 - Page 120



2 Transmitters
433.92 MHz - Rolling Code

VISIO - Page 138



1 Pair of photocells for outdoor use

SUNLED 23 - Page 142



1 Flashing light with built-in antenna

RG 1R DL



1 Control unit with built-in receiver

TL - Page 116



1 Sign plate



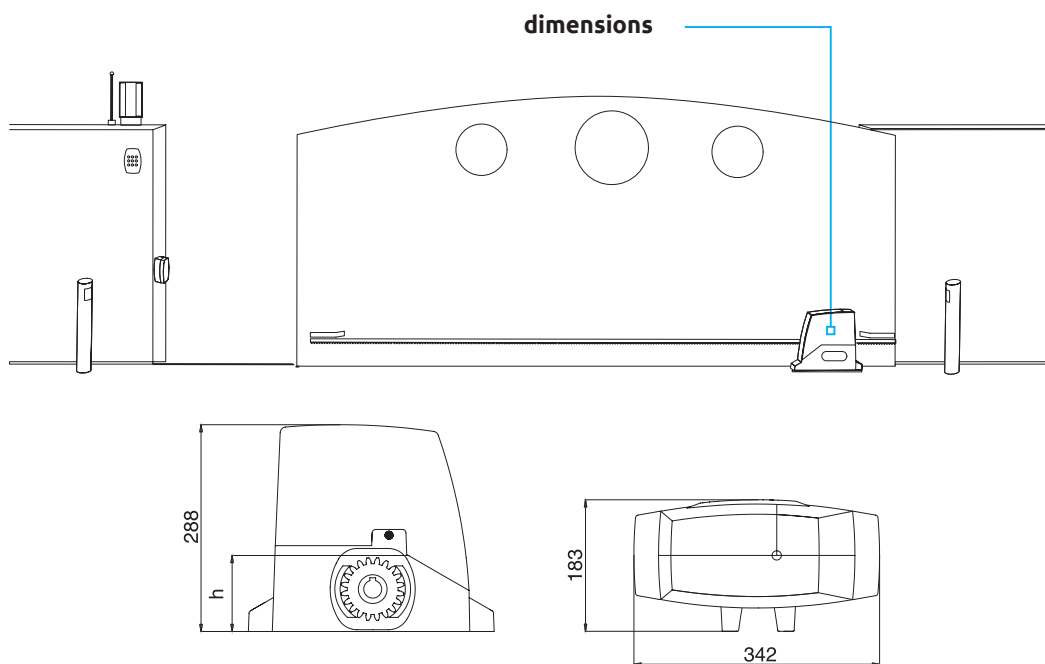
ACER

Irreversible electromechanical gear motor for sliding gates.
External fitting.

● = 24V DC

Code	Leaf	Motor	Description	Pcs. / Pallet
● AC3RM 24DL	300 Kg	24V DC	Model equipped with encoder, magnetic limit switch and control unit (RG1R 24 DL).	36
● AC6RM 24DL	600 Kg	24V DC	Model equipped with encoder, magnetic limit switch and control unit (RG1R 24 DL).	36
AC4R DL	400 Kg	230V AC	Model equipped with encoder, electromechanical limit switches and control unit (RG1R DL). Electronic regulation of the motor torque.	36
AC4RM DL	400 Kg	230V AC	Model equipped with encoder, magnetic limit switch and control unit (RG1R DL). Electronic regulation of the motor torque.	36
AC6R DL	600 Kg	230V AC	Model equipped with encoder, electromechanical limit switches and control unit (RG1 R DL). Electronic regulation of the motor torque.	36
AC6RM DL	600 Kg	230V AC	Model equipped with encoder, magnetic limit switch and control unit (RG1R DL). Electronic regulation of the motor torque.	36
AC6M	600 Kg	230V AC	Model equipped with encoder, magnetic limit switch and control unit (RG1A). Electric regulation of the motor torque. With removable radio.	36
AC8R DL	800 Kg	230V AC	Model equipped with encoder, electromechanical limit switches and control unit (RG1R DL). Metal gears, lubrication with oil.	36
AC8RM DL	800 Kg	230V AC	Model equipped with encoder, magnetic limit switch and control unit (RG1R DL). Metal gears, lubrication with oil.	36
AC12R DL	1200 Kg	230V AC	Model equipped with encoder, electromechanical limit switches and control unit (RG1R DL). Metal gears, lubrication with oil.	36
AC12R M DL	1200 Kg	230V AC	Model equipped with encoder, magnetic limit switch and control unit (RG1R DL). Metal gears, lubrication with oil.	36

Irreversible electromechanical gear motor for sliding gates. External fitting.





● = 24V DC

	AC4R DL (230V 50Hz)	AC6R DL (230V 50Hz)	AC8R DL (230V 50Hz)	AC12R DL (230V 50Hz)	AC3RM 24DL (24V)	AC6RM 24DL (24V)	
Max. gate leaf weight (Kg)	400	600	800	1200	300	600	
Motor power supply (V)	230V AC	230V AC	230V AC	230V AC	24V DC	24V DC	
Power absorbed (W)	250	280	300	350	150	150	
Thrust (N)	500	700	900	1200	300	500	
Lubrication (Type)	Grease	Grease	Oil	Oil	Grease	Grease	
Overheating protection (°C)	140	140	140	140	-	-	
Operating temperature (°C Min/Max)	- 20 +70	- 20 +70	- 20 +70	- 20 +70	- 20 +70	- 20 +70	
Protection class (IP)	Mechanical	44	44	44	44	-	-
	Magnetic	55	55	55	55	55	55
Speed (m/min)	10	8	8	8	11	11	
Work intermittence (%)	35	35	35	35	80	80	
Pinion height - h (mm)	99	95	95	95	95	95	

AAC0



M4 Rack in Nylon without a steel core, with 6 attachment points. (1 Metre/Pack)

AAC1



M4 Rack in Nylon with a 10x10 steel core, with 6 attachment points, complete with screws. (10 Metres/Pack)

AAC3



M4 Rack, 30x12x1000 galvanised and notched, complete with screws and spacers (4 Metres/Pack or multiple packs)

AGECH



Supplementary circuit for charging battery on control units (1 Pc./Pack)

AGE12 Small



Battery 12V - 2.10 Ah (2 Pcs./Pack)

TL

- Page 116



Sign plate