



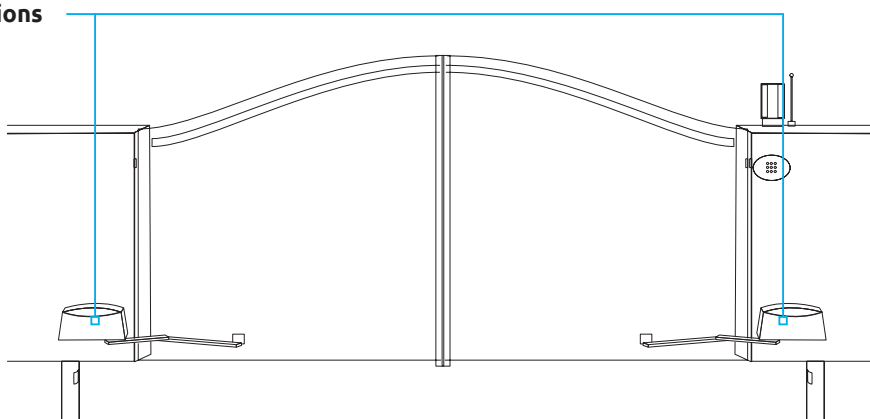
SINUO

Irreversible electromechanical gear motor with jointed arm for swing gates. External fitting.

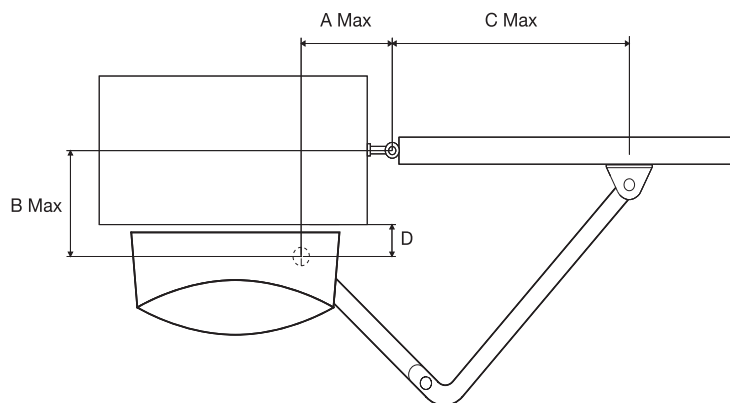
Code	Leaf	Motor	Description	Pcs. / Pallet
SIN 3 UNI	3 m	230V AC	Irreversible gear motor. Quick. Model with electric limit switches for opening and closing. Control unit not fitted on board.	30
SIN 5 UNI L	5 m	230V AC	Irreversible gear motor. Slow. Model with electric limit switches for opening and closing. Control unit not fitted on board.	30

Irreversible electromechanical gear motor with jointed arm for swing gates. External fitting.

dimensions



	Standard	Armax XL
A Max	160	420
B max	370	470
C Max	480	830
D max	87	87



SINUO

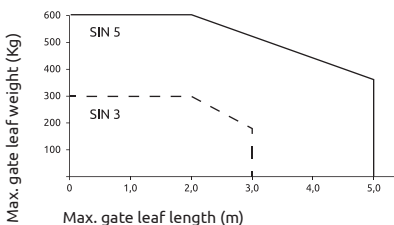
Technical specifications



	SIN 3	SIN 5
Max. gate leaf length (m) - see drawing	3	5
Motor power supply (V)	230V 50 Hz	230V 50 Hz
Power absorbed (W)	220	220
Torque (Nm)	280	350
Operating T° (°C Min/Max)	- 20 + 70	- 20 + 70
Protection class (IP)	44	44
Work intermittence (%)	35	35
Time to cover 90° (s)	12	18
Speed (rpm)	1.7	1.1
Overheating protection (°C)	140	140

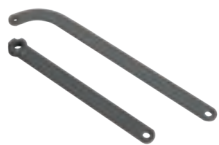
Limit on use

SINUO



NB. In windy areas or when the gate has a particular structural shape, we advise reducing the limits on use.

ARMAX XL



Larger-sized jointed arm
(1 Pc./Pack)

ASECXL



External releasing device with
metal wire (1 Pc./Pack)

DOS



Key switch with release
mechanism for metal wire
(1 Pc./Pack)

AELVE



Vertical electric lock (1 Pc./Pack)

AELOR



Horizontal electric lock
(1 Pc./Pack)

GE UNI RS DL



Control unit with built-in
receiver

GE UNI R



Control unit with built-in
receiver and limit switch

TL



Sign plate

- Page 116