



# SUPRA MB MAX

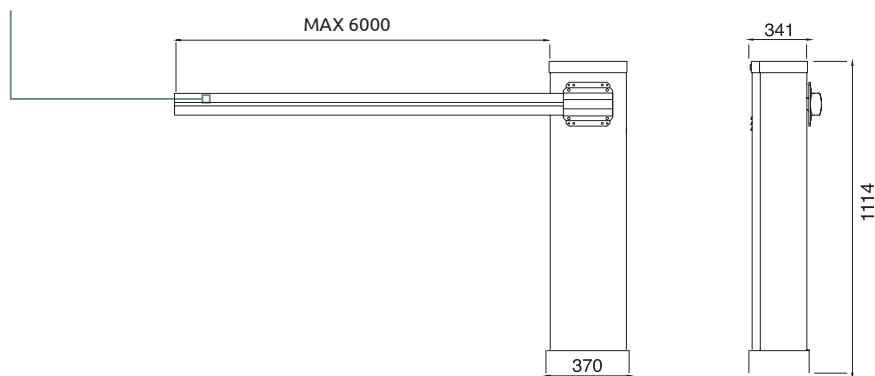
24V

Automatic road barrier  
for booms of up to 6 metres.

● = 24V DC

Code	Booms	Motor	Description	Pcs. Pallet
● SUPRA MAX6	6 m	24V DC	Cabinet in red painted metal. Irreversible electromechanical gear motor housed in a galvanised steel box. Model equipped with encoder, electromechanical limit switches and mechanical stops for opening and closing and on-board control unit (RG1RE 24 DL).	6

## dimensions



### SUM3 x MAX



Balancing spring (1 Pc./Pack)

### MAX1



Foundation plate with anchors  
(1 Pc./Pack)

### FAST R2



Radio receiver with two channels on 433.92 MHz frequency. Coding Rolling code/Autocode. Plug-in module. (1 Pc./Pack)

# SUPRA MB MAX

24V

## Technical specifications

	SUPRA MB MAX	Parameters for selecting the balancing springs.	6 m
Max. boom length (m)	6	Simple round boom	<u>SUM3</u>
Mains power supply (V)	230		
Motor power supply (V)	24V DC		
Power (W)	150		
Torque (Nm)	150		
Operating T° (°C Min/Max.)	- 20 +70		
Protection class (IP)	44		
Work intermittence (%)	80		
Opening time	5-15		

**NB.** The combinations shown in the table are purely for illustrative purposes and are just a few of the most common types of installation. For anything not covered in the table above, please contact the **LIFE** advisory and support service.

### SUC4



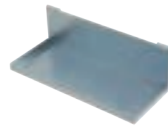
Reflector strips (18 Pcs./Pack)

### SUD1



Fixed support for SUA and SUB booms (1 Pc./Pack)

### SUS1



Support bracket for two AGE 12 batteries (1 Pc./Pack)

### AGECH XL



Supplementary circuit for charging battery on control units (1 Pc./Pack)

### AGE 12



Battery 12V - 2.3 Ah (2 Pcs./Pack)

### BOOM6



Round boom